

Overview

CSDx/CSDxH22 switches are for use with Levven power controller and Q Gateway. The switch, power controller, and Q Gateway are configured by the installer. The installer may configure the switch as shown in these instructions.

Important Notes

Purpose of control: Coin Cell Battery Operated Switch Transmitter (Operating Control -- Non-safety related).

Construction of control: Independently Mounted, Type 1 Action.

Codes: Install and/or use Levven products in accordance with local electrical codes and regulations.

Environment: Ambient operating temperature: -25 °C to 50 °C, up to 75 m / 250 ft range, Impulse Voltage: 71V, Pollution Degree 2. Indoor use only.

Radio Frequency: Switches, power controllers, and Q Gateway operate in the 900 MHz band. The communication between devices is secured with 128-bit encryption. Metal objects and/or surfaces reduce wireless performance.

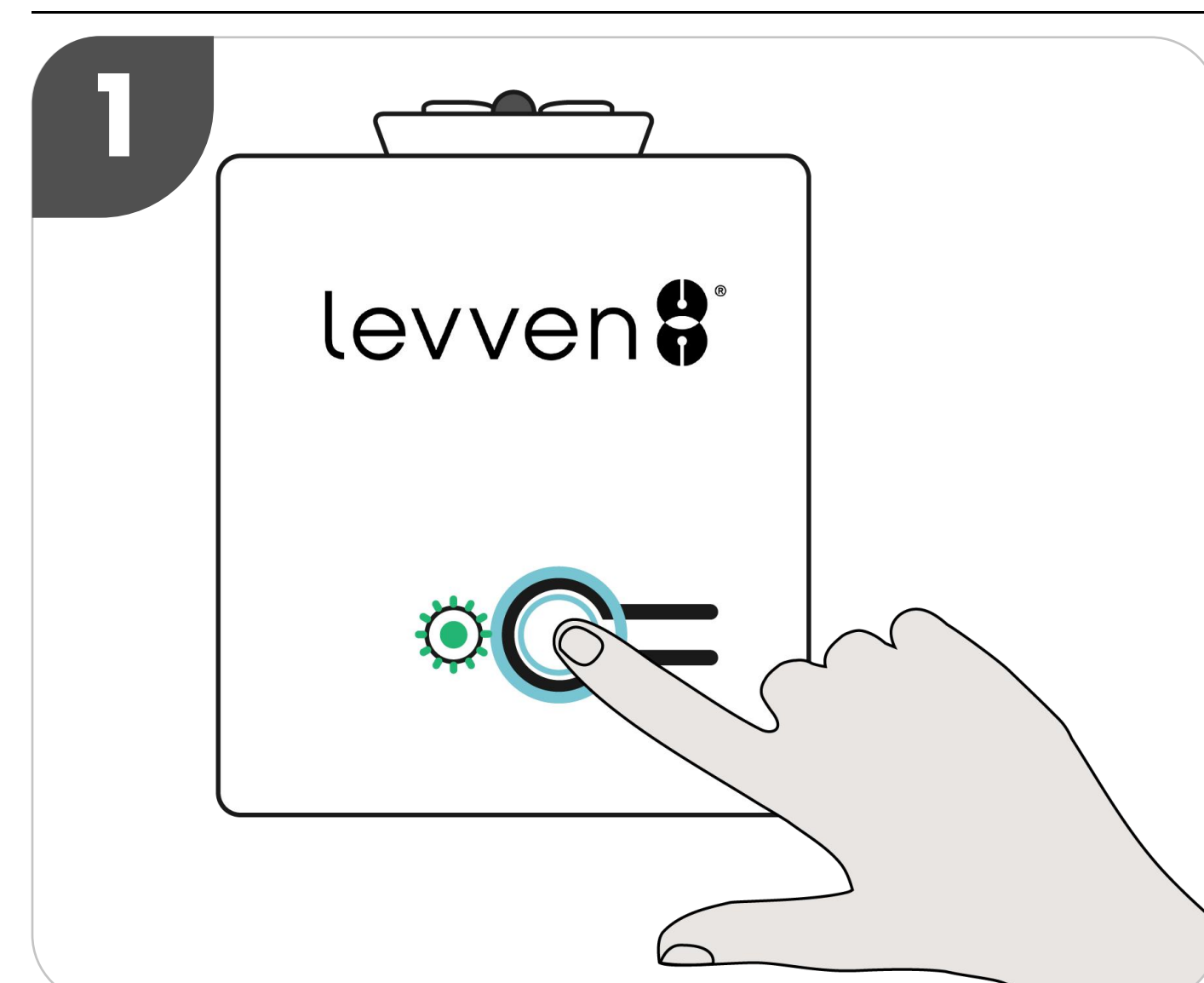
Battery: The CSDx/CSDxH22 switch uses one (1) CR 2032 3V 225 mAh lithium coin cell battery, included in the product. Remove and immediately recycle or dispose of used batteries according to local regulations and keep away from children. Recycle batteries as per government regulations. See epa.gov/recycle/how-do-i-recycle-common-recyclables#batteries. Even used batteries may cause severe injury or death. Call a local poison control center for treatment information. Non-rechargeable batteries are not to be charged. Do not force discharge, recharge, disassemble, heat above (manufacturer's specified temperature rating) or incinerate. Doing so may result in injury due to venting, leakage or explosion resulting in chemical burns. Do not mix old and new batteries, different brands or types of batteries, such as alkaline, carbon-zinc, or rechargeable batteries. Ensure the batteries are installed correctly according to polarity (+ and -). Always completely secure the battery compartment. If the battery compartment does not close securely, stop using the product, remove the batteries, and keep them away from children.

Cleaning: To clean, wipe with a clean damp cloth. Do not use chemical cleaners of any type as they will damage the switch and void the warranty.

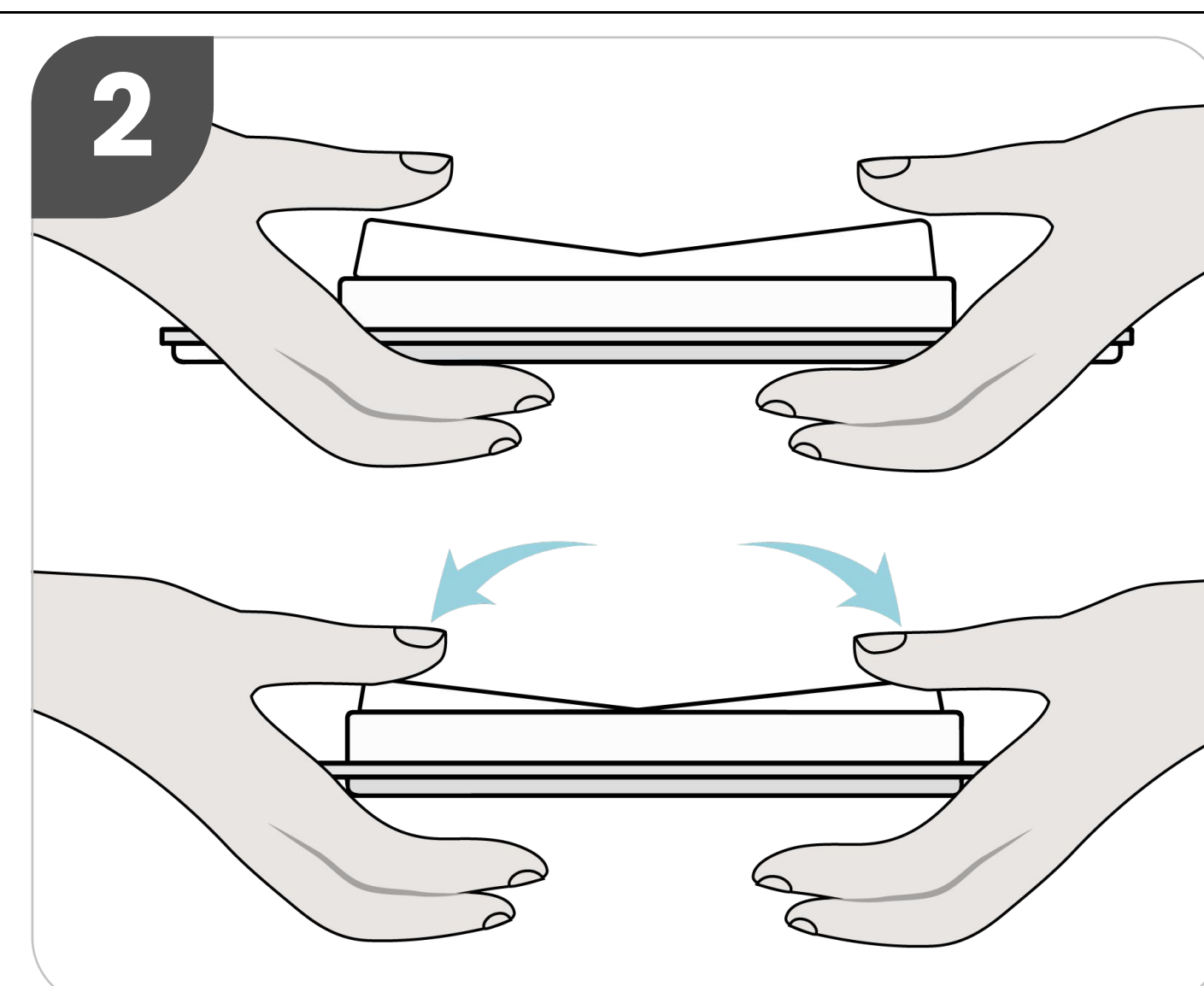
Mounting: All Levven switches can be secured to any surface. Wall anchors and screws are provided to mount switches onto walls. For optimal performance, do not mount switches in metal boxes.

Wallplates: The CSDx/CSDxH22 switch fits any standard decorator-style wallplate. Do not paint on the switch. Wallplates are not included.

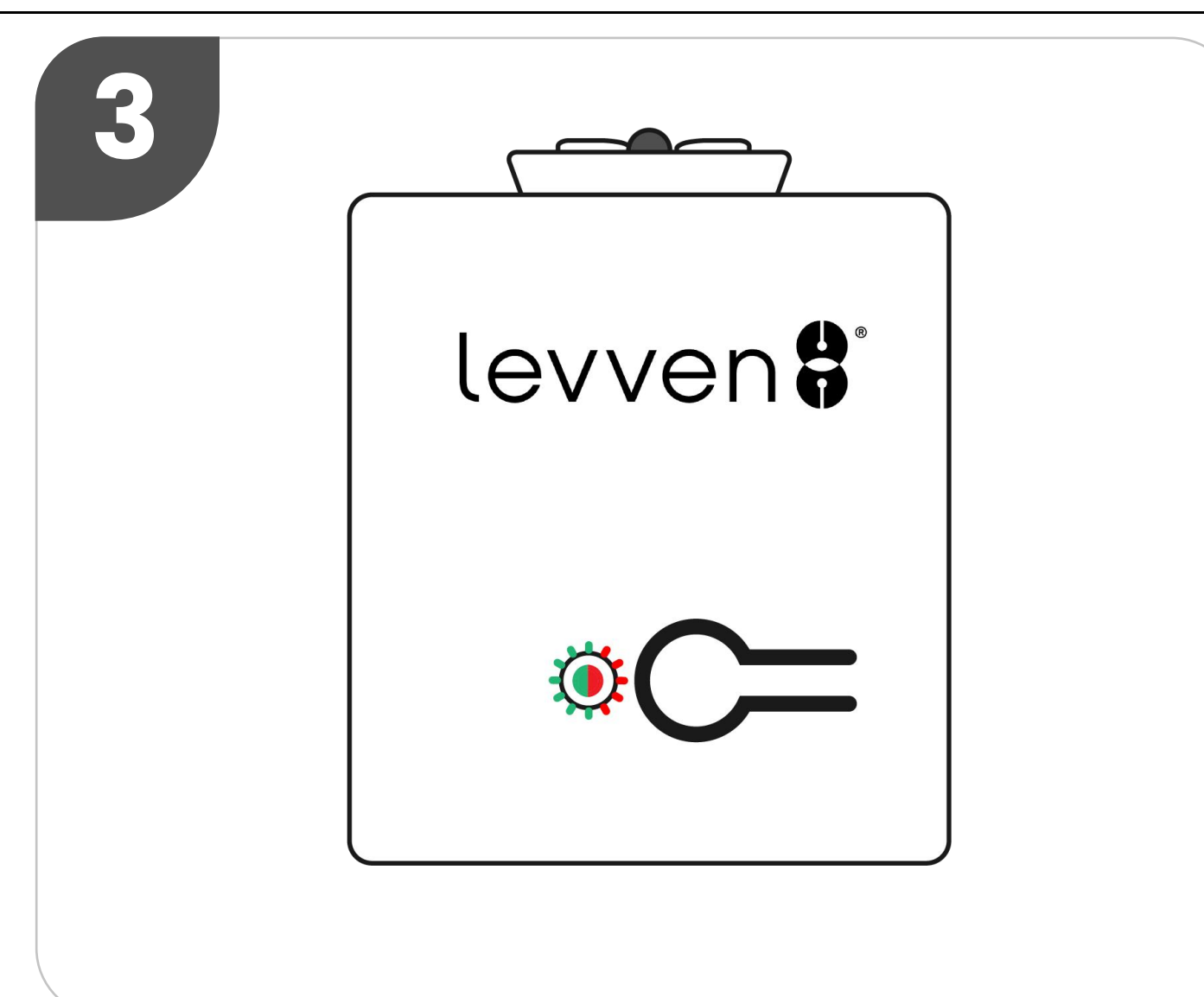
Pairing Switch to Power Controller(s)



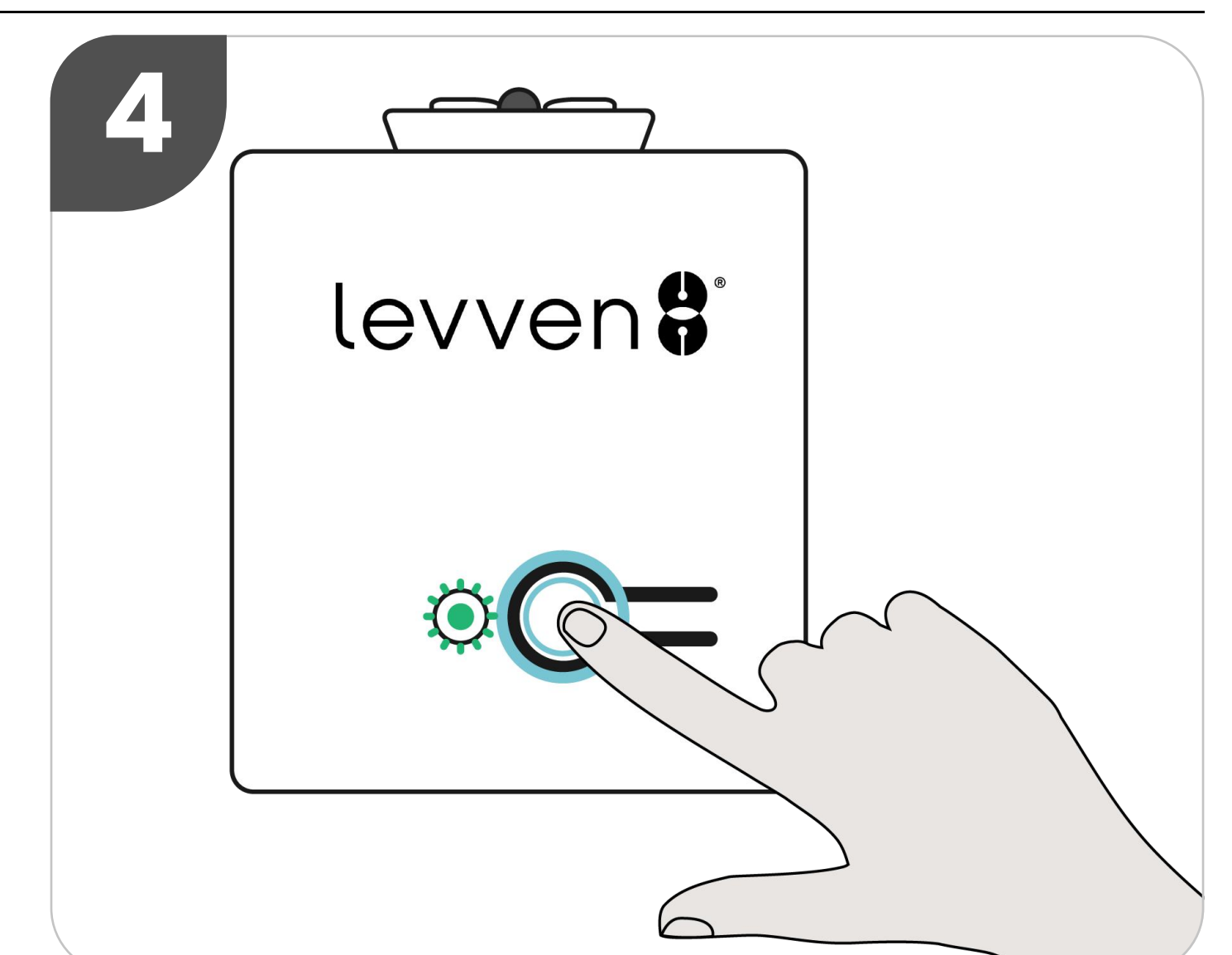
1 Press and release the pair button on the controller to initiate pairing. This controller's LED will blink green. The pairing mode is active for 60 seconds. If no pairing request is received within 60 secs, the controller exits pairing mode.



2 Squeeze and release both ends of the switch simultaneously. Both ends MUST be pressed at the same time to send the pairing signal to the power controller.



3 The LED on the controller will start blinking red and green to confirm a signal is received.



4 Press and release the pair button on the controller to complete pairing. The LED flashes green 3 times if pairing is successful; otherwise, it flashes red. If the pairing was unsuccessful, restart from Step 1.

NOTE: To pair a switch to multiple controllers, the controllers must be grouped. If controllers are already grouped, repeat the pairing process for each controller you want to control with the switch. If controllers are not grouped or if a pairing was mistakenly performed, reset the controllers and group them first. Refer to the grouping and/or reset instructions in the online troubleshooting guide at levven.com/help or controller's instruction manual for guidance.

Tap Top Button

When paired to Power Controller: Turn On

Press & Hold Top Button

When paired to Dimmer Power Controller: Brighten lighting device

Tap Bottom Button

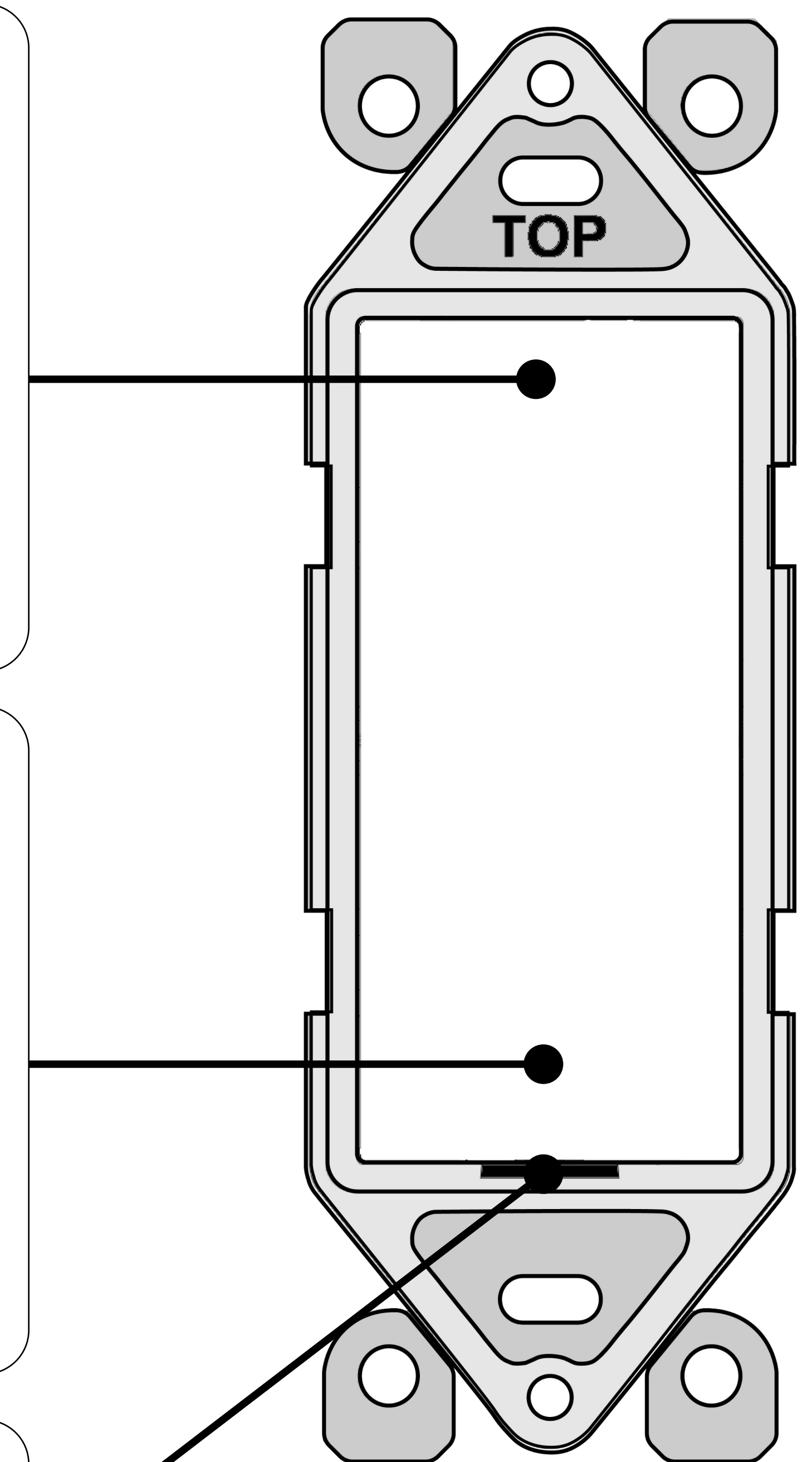
When paired to Power Controller: Turn Off

Press & Hold Bottom Button

When paired to Dimmer Power Controller: Dim lighting device

LED Status Indicator

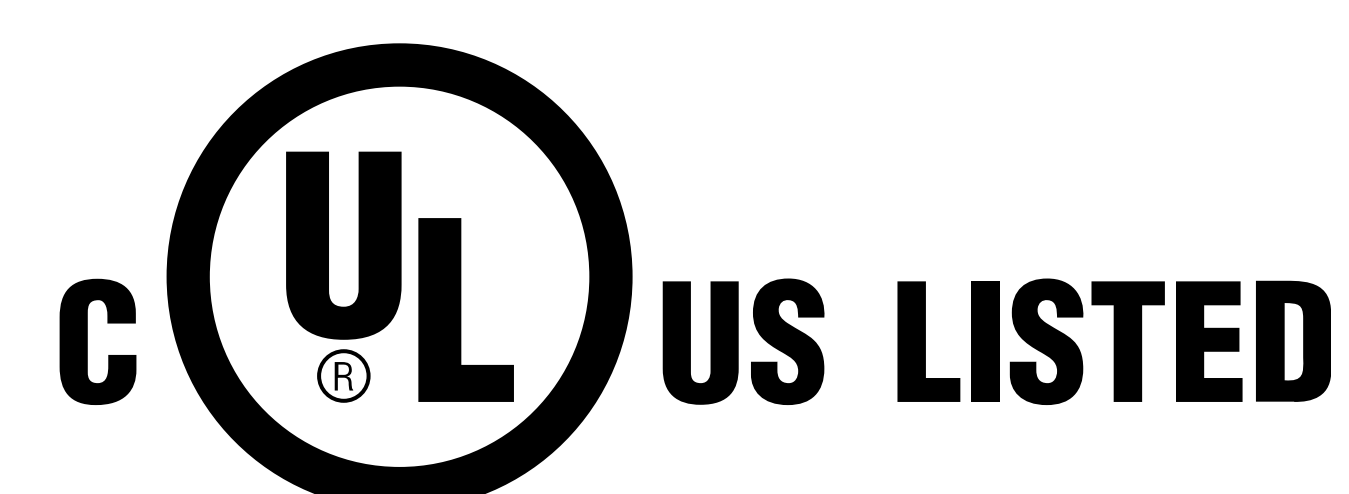
Flashes twice to confirm operation.



Part Number:
CSDx / CSDxH22

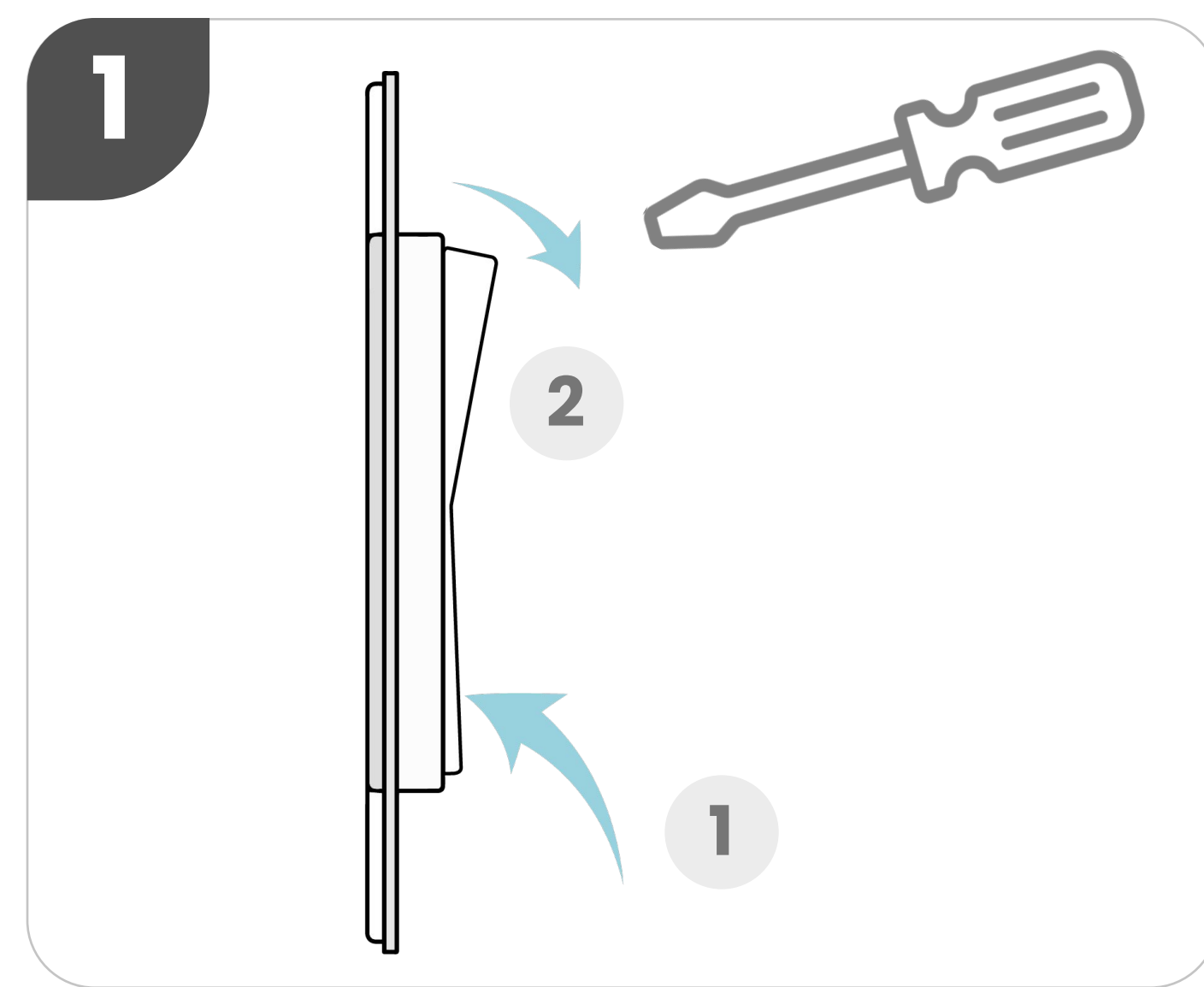
WARNING

- **INGESTION HAZARD:** This product contains a button cell or coin battery.
- **DEATH** or serious injury can occur if ingested.
- A swallowed button cell or coin battery can cause **Internal Chemical Burns** in as little as **2 hours**.
- **KEEP** new and used batteries **OUT OF REACH OF CHILDREN**
- **Seek immediate medical attention** if a battery is suspected to be swallowed or inserted inside any part of the body.

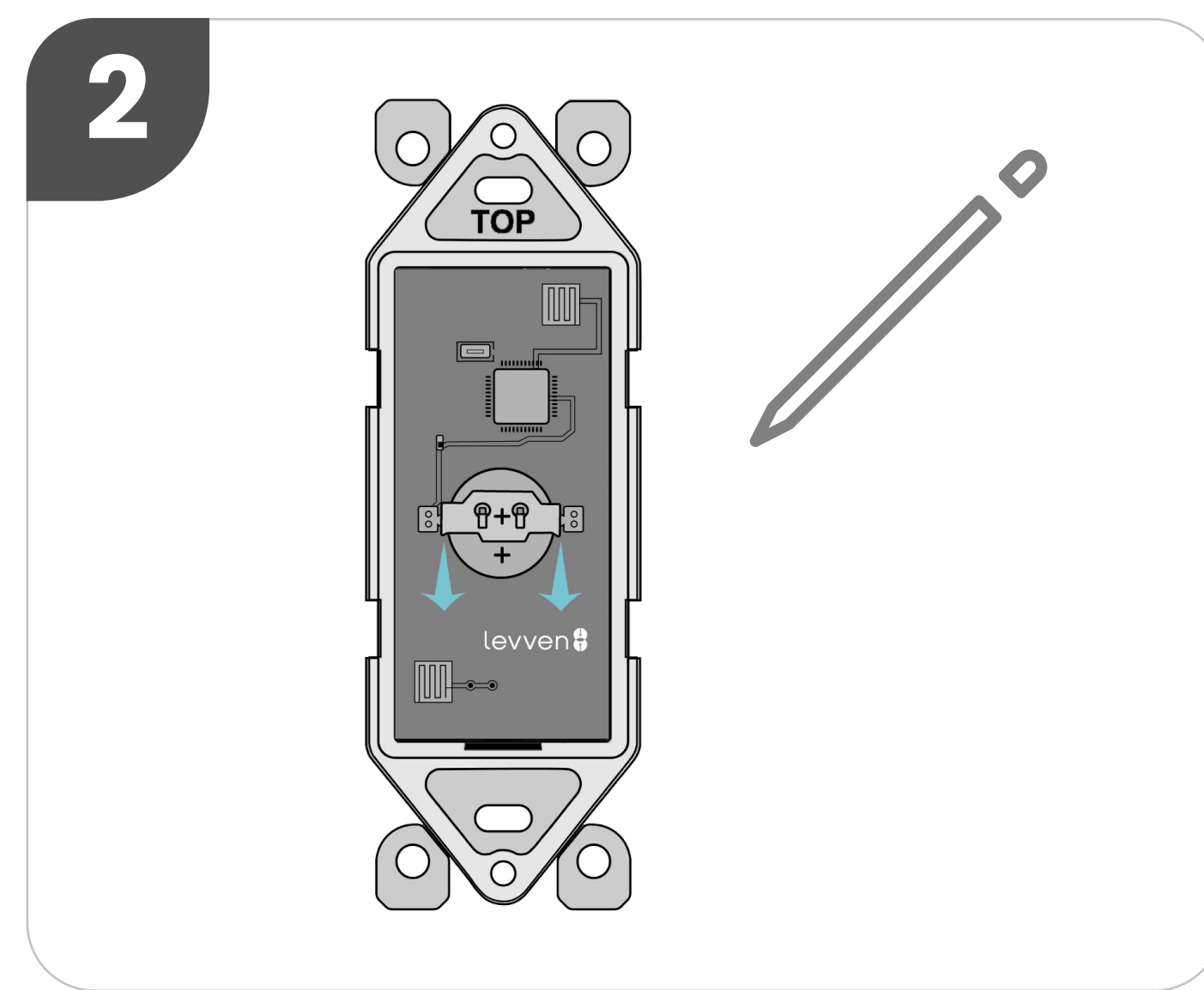


ENERGY MANAGEMENT EQUIPMENT
ACCESSORY E511262

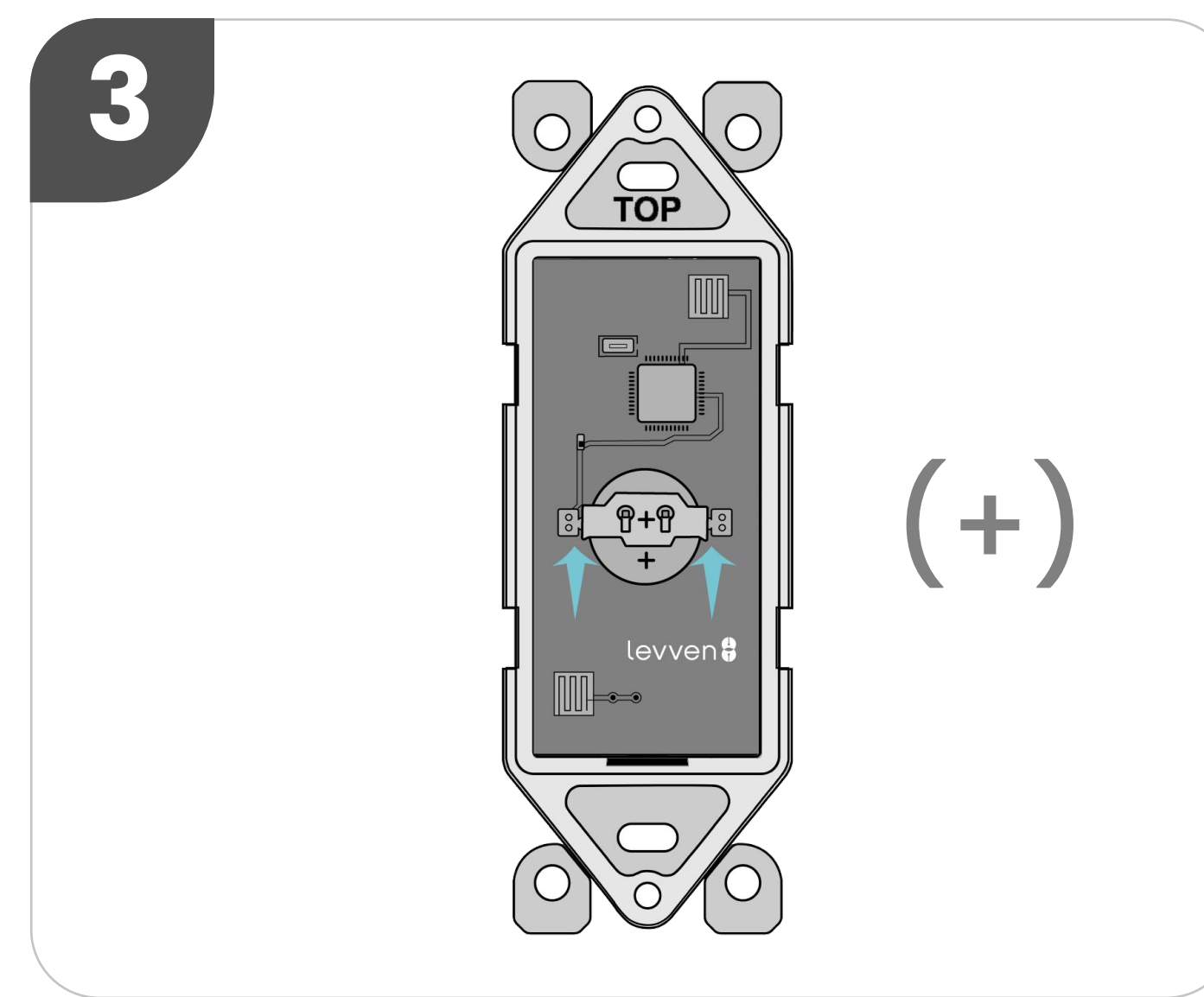
Battery Replacement



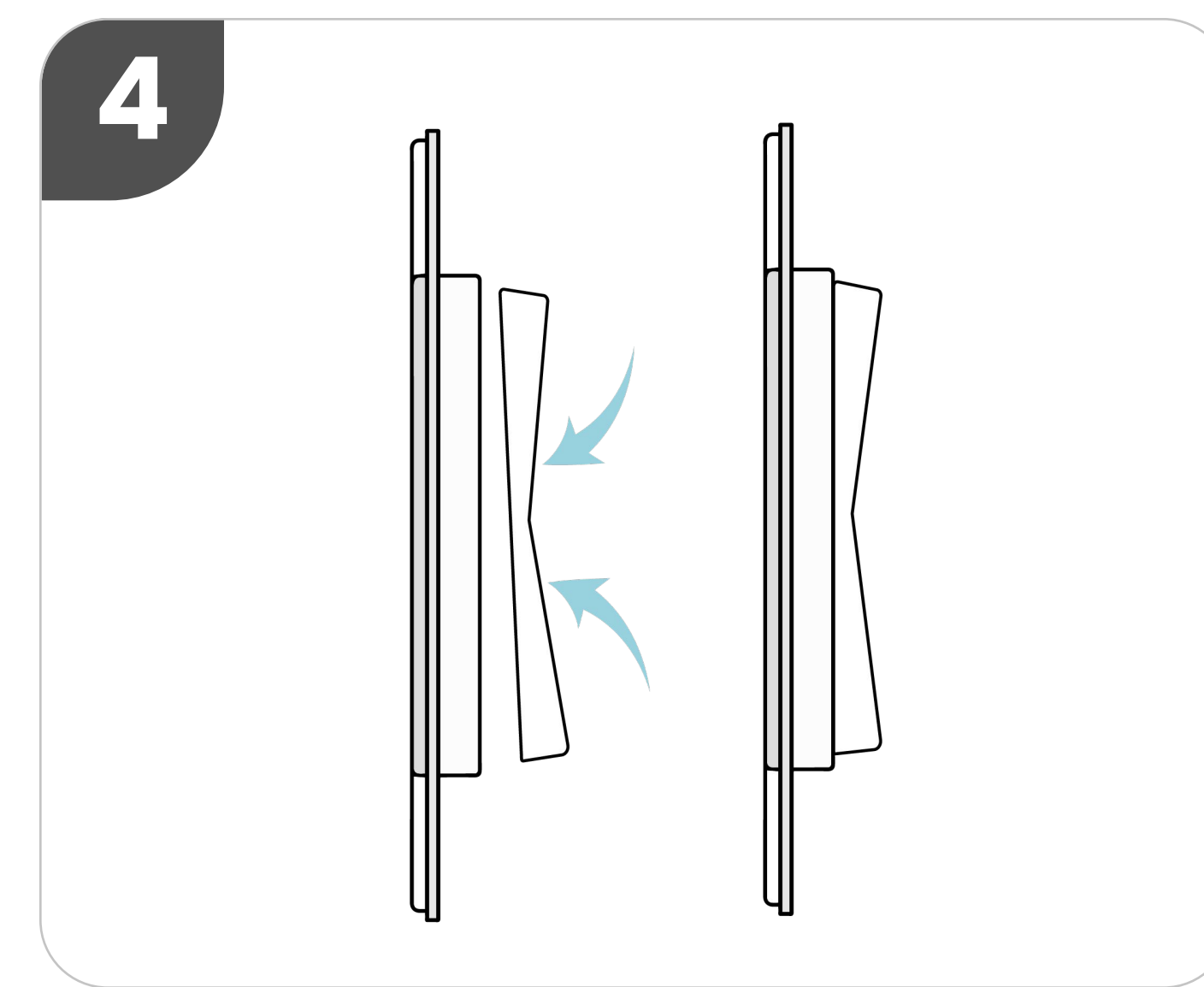
Press and hold the bottom or top of the switch rocker. Use a screwdriver or similar tool to pry the switch rocker off the switch to reveal the battery compartment.



Use a toothpick or similar item to push the battery out of the holder from the top of the holder. Handle the battery as per instructions provided in Important Notes.



Replace a new battery by pushing it from the bottom of the holder, with the positive (+) symbol facing out. Use ONLY a CR2032 3V 225 mAh lithium coin cell battery.



Snap the rocker back into the switch by pressing the rocker hinge into the switch body.

NOTE: If the old and/or new battery is damaged during the replacement process and begins to leak, place the leaking batteries into a plastic bag before recycling. Avoid contact with the substance at all times. Clean out the battery holder with a dry cotton swab. In case of contact, wash your hands thoroughly with soap and water.

FCC Information

FCC Suppliers Declaration Of Conformity:

Levven Electronics Ltd.
9741 54 Ave NW, Edmonton, Alberta,
Canada T6E 5J4, Phone: +1 (844)-553-8836

For CSDx Models:

FCC ID: 2ADH9-GSW
IC ID: 12453A-GSW
IC Certification: CAN ICES-003

For CSDxH22 Models:

FCC ID: 2ADH9-CSX
IC ID: 12453A-CSX
IC Certification: CAN ICES-003

FCC Caution:

Changes or modifications not expressly approved by Levven Electronics Ltd. could void the user's authority to operate the equipment.

Class B FCC Statement

NOTE: This equipment has been tested and found to comply with the limits for a Class B digital device, pursuant to part 15 of the FCC Rules. These limits are designed to provide reasonable protection against harmful interference in a residential installation. This equipment generates, uses, and can radiate radio frequency energy and, if not installed and used in accordance with the instructions, may cause harmful interference to radio communications. However, there is no guarantee that interference will not occur in a particular installation. If this equipment does cause harmful interference to radio or television reception, which can be determined by turning the equipment off and on, the user encouraged to try to correct the interference by one or more of the following measures:

1. Reorient or relocate the receiving antenna.
2. Increase the separation between the equipment and receiver.
3. Connect the equipment into an outlet on a circuit different from that to which the receiver is connected.
4. Consult the dealer or an experienced radio/TV technician for help.

FCC Radio Exposure Statement

This device meets the U.S. FCC's and ISED Canada's requirements for exposure to radio waves and is designed and manufactured not to exceed the emission limits for exposure to radio frequency (RF) energy. For satisfying RF exposure compliance requirements, body-worn operations are restricted to belt-clips, holsters or similar accessories that have no metallic component in the assembly and must provide at least 20cm separation between the device, including its antenna, and the user's body.

Canadian Caution

This device contains licence-exempt transmitter(s)/receiver(s) that comply with Innovation, Science and Economic Development Canada's licence-exempt RSS(s). Operation is subject to the following two conditions:

1. This device may not cause interference.
2. This device must accept any interference, including interference that may cause undesired operation of the device.

Warranty Information

One Year Limited Warranty

Levven warrants each new unit against manufacturing defects for one year from the date of purchase. This warranty is subject to certain exclusions and restrictions outlined below. We will repair the unit or provide a credit for a comparable replacement part at our discretion. Replacement units provided by Levven or its approved vendors may include new, used, repaired, or reconditioned parts, depending on availability and circumstances. If the unit is commissioned by Levven or a Levven-approved third party as part of a Levven-commissioned lighting control system, the warranty term may be extended. Credits for replacement parts will be prorated according to the system's warranty, with the unit's warranty term measured from its commissioning date.

Exclusions and Restrictions

Levven's warranty excludes damage or malfunction resulting from normal wear and tear, misuse, incorrect installation, neglect, accidents, or environmental factors beyond Levven's control. This includes improper voltage usage, failure to adhere to installation and operating instructions, use of incompatible devices, and unauthorized repairs. Additionally, the warranty does not cover on-site labor costs, external equipment and parts, or damage to other property caused by the unit's malfunction.

Warranty Claim Process

To claim warranty, promptly contact Levven's Technical Support Center at +1 844-553-8836 within the specified period. Levven will assess and determine necessary action. Please provide unit's serial and model numbers for expedited service. If needed, Levven may arrange on-site visit or coordinate with approved vendor for service. Note: State laws may affect rights regarding warranties and damages.

Instructions in French and Spanish available here:

Veillez trouver le manuel d'instructions en français : <https://levven.com/p/csdw/>
Encuentre el manual de instrucciones en francés: <https://levven.com/p/csdw/>